



سوق السيارات العربي

International Car Bridge FZE

RAK Free Trade Zone, Island Street, P.O. Box 16111, Ras Al Khaimah RAK
United Arab Emirates (UAE), Tel: 00971/(0)50/7 13 13 07, Fax: (0)7/204 10 10

Contact in Germany: Volker Risse, Alfred-Ott-Str. 7, 53489 Sinzig/Bonn

Tel:+49/(0)2642/994999, Fax:994997, Mobil:(0)172/6539555

Email: info@icbdubai.com, Webpage: www.icbdubai.com & www.cartrader24.com

VW Amarok Modell 2013

VEHICLE SPECIFICATION

Model Year : 2013

Seats : 2 + 3

Engine : 2.0 biTDI 132kw (180HP) 4 MOTION

Trans. : 8 speed automatic transmission (4 cylinders)

- ✚ Rear bumper painted in black, with integrated step
- ✚ **Electronic Stability Control with brake assistant, ABS(incl. off road ABS), ASR and EDL**
- ✚ **Alloy spare wheel with original equipment tires**
- ✚ Steering wheel
- ✚ Tool kit and jack
- ✚ Additional front underbody guard
- ✚ Body colored front bumper with chrome elements (in upper radiator grille)
- ✚ Center console with upholstered cover for storage shelf
- ✚ Rear headrest
- ✚ **Radio remote controlled central locking operated from inside and safe securing**
- ✚ **Power windows in front and rear**
- ✚ **Driver's and front passenger airbag with front passenger air bag deactivation**
- ✚ 4 lashing rings for load restraint
- ✚ Body-colored exterior mirror housing
- ✚ **Mud flaps front and rear**
- ✚ Electronic Vehicle immobilization device
- ✚ Exterior mirrors, electrically adjustable and heated
- ✚ Three 12-V sockets in dashboard, center console and on cargo area
- ✚ **Park distance control, rear**
- ✚ **Radio " RCD 210" (MP3 capable) with 4 speakers**

- ✚ Additional exterior noise suppression
- ✚ Halogen headlight for driving on the right
- ✚ Alternator 140 A
- ✚ **Cruise Control**
- ✚ Front fog lights
- ✚ **Air conditioning system (Climatic)**
- ✚ Smoking package
- ✚ Seat belt reminder, electric contact in buckle
- ✚ **Multi-function display**
- ✚ **4 alloy wheels " Taruma "6.5J x 16**
- ✚ Tires 245/70 R16 111 T
- ✚ Battery 380 A (72Ah)
- ✚ Fabric seat covering " Trail "
- ✚ Service indicator 20000 km or 1 year (fix)
- ✚ Windows in heat-insulating glass (green)
- ✚ Electric interface for External Use
- ✚ Carpet floor covering for cab and passenger compartment
- ✚ **Trailer hitch preparation (incl. trailer stability control)**
- ✚ Warning triangle
- ✚ Fire extinguisher

Weight & Dimension (mm):

Length : 5254 Front overhang : 28mm
Width : 1954 Rear overhang : 23.6mm
Height : 1834 Ground Clearance : 230/250/780

Tail gate doors (width) : 1364 mm
Rear Compartment (Width/Length/ height): 1620/1555 / 508

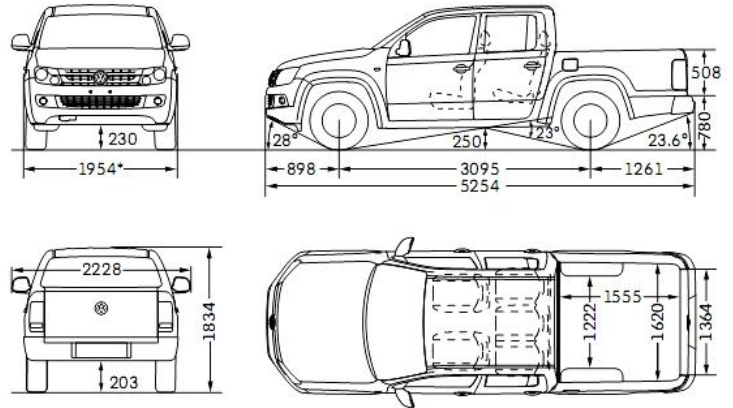
Wheel base : 3095 mm
Gross Vehicle Weight : 3040 kg
Payload : 1042-856 kg
Load area : **2.52 m²**

* Emission standard EU3, diesel with EOBD

*Weight category front axle weight range3

*Weight range 2 installation control only, no requirement forecast

Amarok DoubleCab Trendline



* -10 mm with Amarok DoubleCab Trendline.

US\$ 33.330,- // Euro 24.690,- // Bruttoendpreis: 33.600,- Euro

**Nettopreise inkl. Verschiffung und Transportversicherung frei CIF Hamburg
(Kurs: 1Euro=1,35US\$).**

In Deutschland fallen folgende weitere Kosten an, die im oben genannten Bruttoendpreis aber schon enthalten sind (!!!): 10% Zoll, MwSt., Harbourhandling, Umbau der Beleuchtungsanlage, Fahrzeugbriefherstellung.